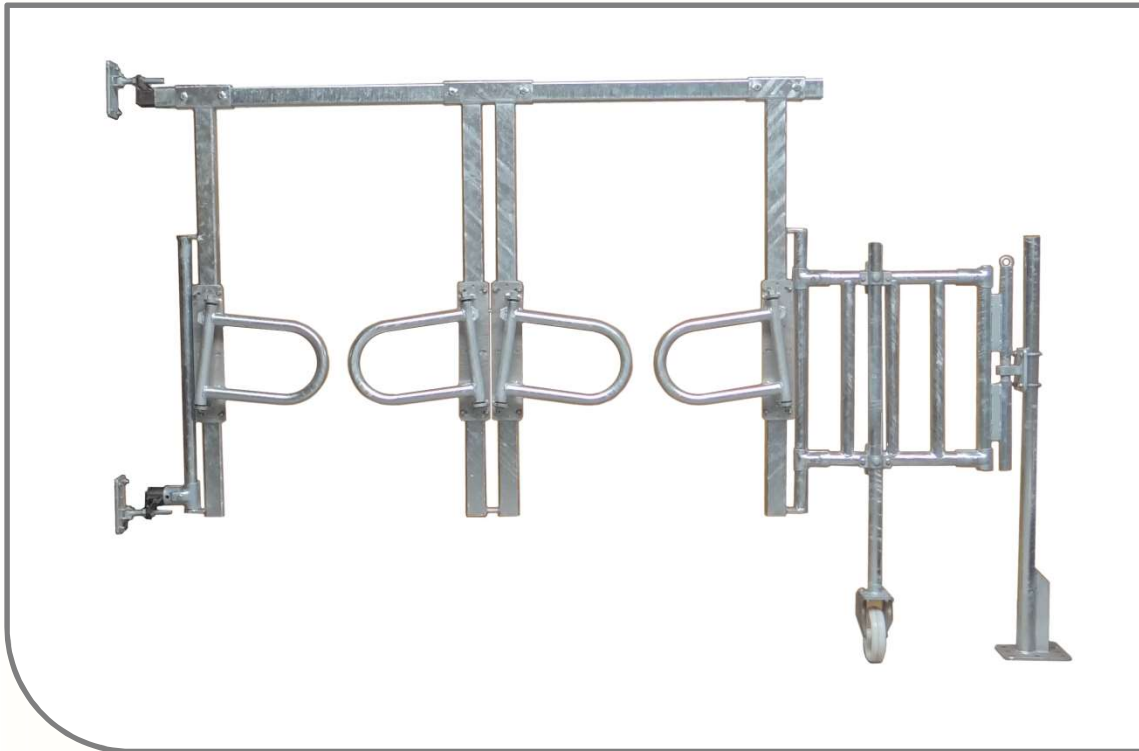


Product information leaflet



Product information 202051



202051

Turnable separation fence square tube model with 2 entry incl. one way gates model: Texas Space between entry=900mm

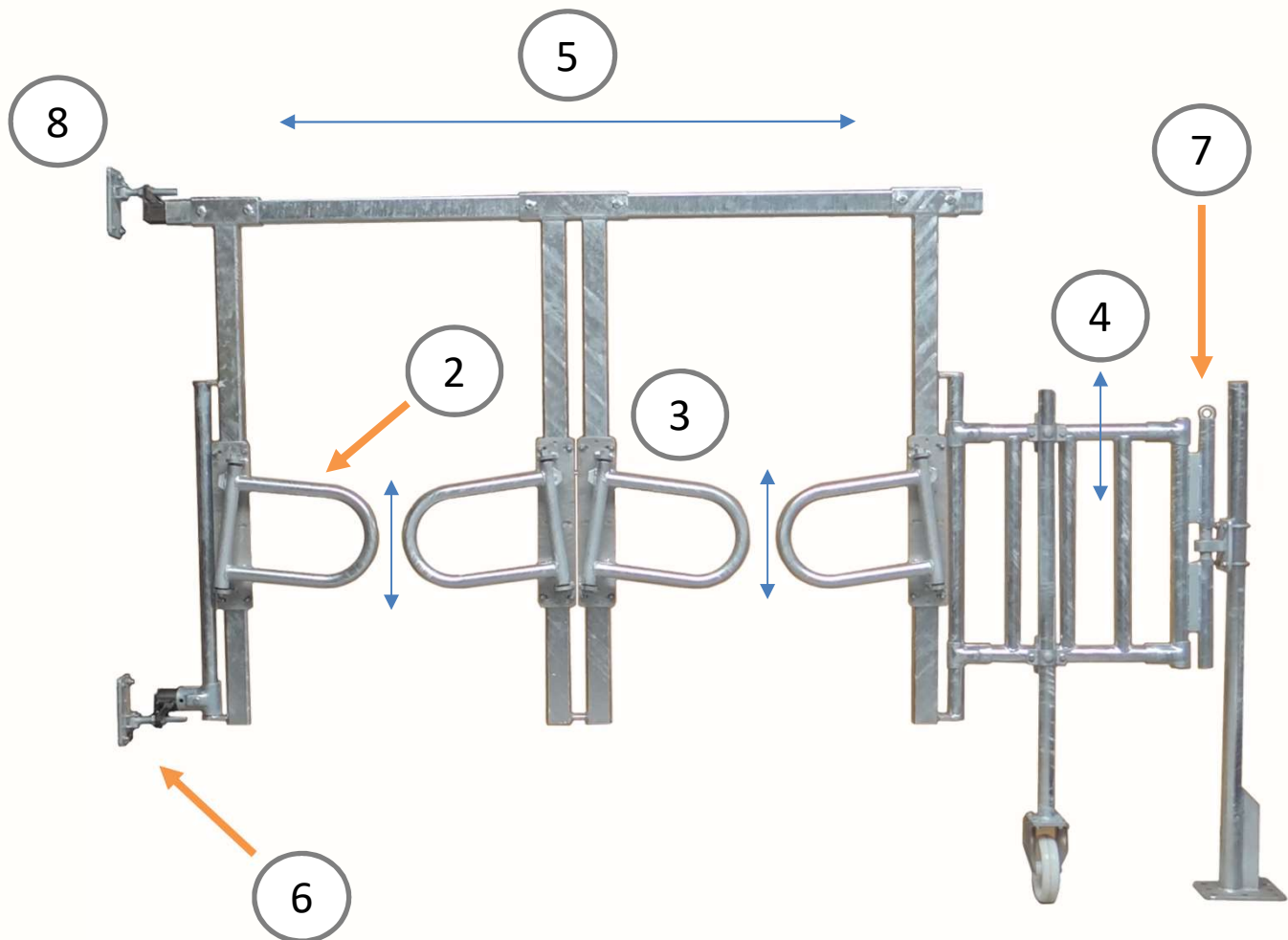
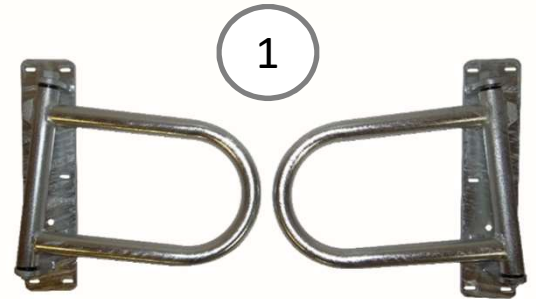
Excluding mounting pole shown on picture (201055)



201055

Product information 202051

- 1) Uses the standard one way gate model: Texas (201007)
- 2) These can be mounted to your desired height (They are mounted with square U-bolts M10)
- 3) You can also place the one way gate to the other side
- 4) Fence with vertical beams can also be mounted to your desired height, easy to adjust
- 5) Also the width is adjustable
- 6) Hinges upper and lower adjustable
- 7) Lock pin
- 8) Option: mounting pole with steel cable and spanner



Contact



dlc

**Winterdijk 10
5161PH Sprang-Capelle
The Netherlands**

Contact

T. +31 6 24 12 06 05

E. info@dlc-bv.com